

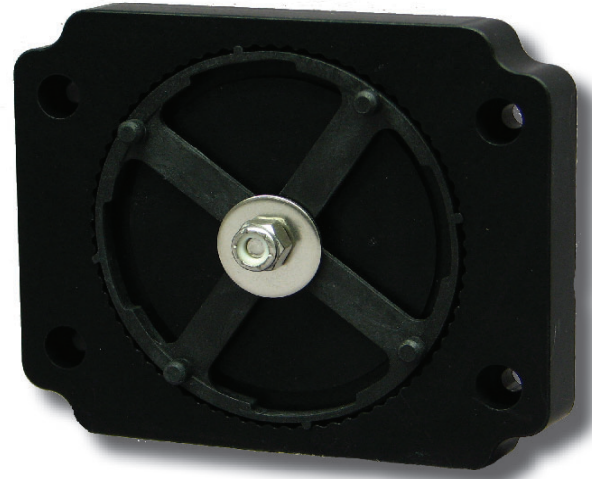
CVSB

Swivel Base



Features Include:

- ✓ Light Weight ABS Plastic or Anodized Heavy Gauge Machined Billet Aluminum Base
- ✓ Delrin Self Lubricating Plastic Adjustment Ring Holds Secure While Allowing Ease of Rotation
- ✓ Low Profile
- ✓ 360° Rotation
- ✓ Works with All Intec Car Vision Monitors and Displays
- ✓ Optional Tamper Proof Cover



Product Specifications

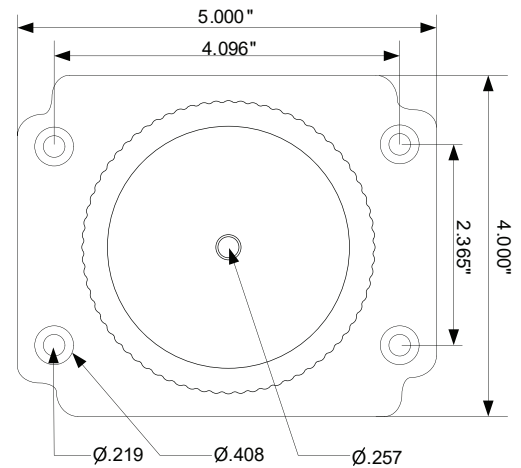
Part Number	CVSB	CVSBM
Material	ABS Plastic	Anodized Billet Aluminum
Dimensions	L 5.50" x W 4.00" x H 0.625"	L 5.00" x W 4.00" x H 0.625"
Weight	Less than 1 lb.	~ 1.2lbs.
Color	Black	Black
Options		107-98-01-001 - Tamper Proof Cover
Warranty	One year parts & labor	One year parts & labor



CVSBM shown here with the tamper proof cover.



CVSBM shown here in an overhead mount.



CVSBM Dimensional

Quality first for performance that lasts

www.intecvideo.com

Corporate: 23301 Vista Grande, Laguna Hills, CA 92653 | Eastern: 4256 State Route 51 North, Rostraver Township, PA 15012

CVSB Spec Rev B 12/2021 | Specifications Subject to Change Without Prior Notice. Intec® and Car Vision® are registered trademarks of Intec Video Systems, Inc. © 2021 Intec Video Systems, Inc. Additional information can be found by visiting www.intecvideo.com